



## 河南易运国际贸易有限公司

HENAN YIYUN INTERNATIONAL TRADE CO., LTD.

-  0086 17319767895
-  eyunglobal@gmail.com
-  www.eyunglobal.com
-  中国·河南郑州  
Zhengzhou, Henan, China



**QUALITY  
CREATS  
THE FUTURE**  
品质铸就未来

品质铸就未来 · 合作创造价值  
QUALITY CREATES THE FUTURE · COOPERATION CREATES VALUE

  
破碎设备  
CRUSHING EQUIPMENT

  
筛分设备  
SCREENING EQUIPMENT

  
输送设备  
CONVEYING EQUIPMENT

  
配件与服务  
SPARE PARTS & SERVICE

## » 公司简介

我们工厂是中国知名的破碎筛分设备制造商，产品涵盖颚式破碎机、圆锥破碎机、反击式破碎机、立轴冲击破碎机、振动筛、给料机、洗砂机等成套设备。我们不仅为客户提供高性价比的产品，还提供一流的服务支持及解决方案。

公司始终坚持高起点、高质量的发展原则，积极引进和培养了一批国内优秀的技术人员和管理人员，拥有具备国内外先进水平的精密金属切削机床，完备的检测、计量、试验手段为产品质量提供了严格的保障。

20余年的产品制造经验，我们的产品在国家重点工程中得到了广泛应用，无论是在冶金、选矿、城市建设、公路建设，还是在耐火材料等诸多领域，我们的产品均有优异的表现。

在不断地扩大国内市场占有率的同时，我们的产品已经出口到加拿大、俄罗斯、印度、蒙古、西亚、中亚、非洲等20多个国家和地区。

我们深知，质量是企业的生命，创新是发展的源泉。我们立志打造破碎、筛分行业的世界级品牌。

为客户创造最大的价值是我们永恒的追求。

## » Company Introduction

We are a well-known crushing and screening equipment manufacturer in China, with a full range of products including jaw crushers, cone crushers, impact crushers, vertical shaft impact crushers, vibrating screens, feeders, sand washing machines and complete sets of equipment. We not only provide cost-effective products, but also first-class service and solutions.

Our company has been insisting on the development principle of high starting point and high quality, introducing and cultivating excellent technicians and managers, employing cutting machine tools with precise processing level, complete detection, measuring and testing and testing means to provide strict guarantee for product quality.

With more than 20 years of manufacturing experience, our products have been widely used in many national key projects, no matter in metallurgy, mining, urban construction, highway construction, or in refractory industry and many other fields, our products have excellent performance.

Besides expanding our domestic market, our products have also been exported to more than 20 countries and regions including Canada, Russia, India, Mongest Asia, Central Asia and Africa.

We deeply know that quality is the life of an enterprise, and innovation is the source of development.

We are determined to build a world-class brand in the crushing and screening industry.

Creating maximum value for customers is our eternal pursuit.



» 生产车间  
Workshop



» 机械加工实力  
Processing Capacity



### » 国际合作与贸易

International cooperation and sales



## » XHP系列多缸液压圆锥破碎机

### XHP Series Multi-cylinder Hydraulic Cone Crusher

#### 产品简介

XHP系列多缸液压圆锥破碎机是引进先进技术的新一代圆锥破碎机，是中鑫重工经过多年实践生产的。其性能达到行业先进水平，是矿山装备行业的理想选择。

实践证明，在建筑石材、人工制砂、金属矿开采等领域，从中碎、细碎、超细粉碎等方面均表现出卓越的性能。

#### Brief Introduction

XHP series multi-cylinder hydraulic cone crusher is the new generation of cone crusher which imports the advanced technology, and is produced by Zhongxin Heavy Industry after many years of practice. Its performance reaches the advanced level of industry, and is the ideal choice for mining equipment industry.

Practice has proved that it shows excellent performance from the medium crushing, fine crushing and superfine crushing in building stone, the artificial sand making and metal ore mining areas.

#### 选用XHP系列多缸液压圆锥破碎机的原因

- 1.更高的生产能力，更好的最终产品粒径
- 2.先进的破碎原理，高性能
- 3.更高的细料生产能力
- 4.如需中、细、特细产品，更换破碎腔
- 5.完美的颗粒组成与粒型颗粒料
- 6.可安装在厂房或开阔区域的钢结构或混凝土基础上
- 7.运行维护成本低
- 8.停工时间短，工作时间长
- 9.操作简单，维护方便
- 10.多重防护，避免人为误操作造成事故和损害



#### The Reason why Choose XHP Series Multi-cylinder Hydraulic Cone Crusher

- 1.Higher production capacity, better final product particle size;
- 2.Advanced crushing principle, high performance;
- 3.Higher capacity of fine product;
- 4.Replace crushing cavity if you need medium, fine and super fine product;
- 5.Perfect grain composition and cubic particle product;
- 6.Can be installed on the steel structure or concrete foundation in the workshop or open area;
- 7.Low operating and maintenance cost;
- 8.Short downtime and long working hours;
- 9.Easy operating and easy to maintain;
- 10.Multi pie protection, avoid accidents and damage caused by human incorrect operation.

#### 更高的生产能力，更好的最终产品立方形状

结合高速和大行程。中鑫重工XHP系列多缸液压圆锥破碎机在额定功率和开口尺寸下，通过率大大提高，使其在同规格破碎机中具有较大的生产能力。

XHP多缸液压圆锥破碎机采用满腔给料方式，物料进入破碎腔后实现多次破碎，最终产品尺寸趋于均匀。立方体粒占比大大提高。在选矿工业中，最终产品更细。粉料含量高，达到“多碎少磨”的效果。



#### Higher Production Capacity, Better Cubic Shape of Final Product

Combined high speed with large stroke. XHP series multi-cylinder hydraulic cone crusher of Zhongxin Heavy Industry greatly improves the passing rate under rated power and opening size .which enable it has the bigger capacity among the crushers with same specification.

The XHP multi-cylinder hydraulic cone crusher adopts a full cavity feeding method. After the material enters the crushing cavity, it is crushed multiple times, and the final product size tends to be uniform. The proportion of cubic grains is greatly increased. In the beneficiation industry, the final product is finer, achieving the effect of "more crushing and less grinding".



## 更耐用的质量

与同类破碎机相比，XHP系列多缸液压圆锥破碎机采用铸造模拟软件设计的铸造工艺，采用电炉熔炼工艺生产的铸钢，优质锰钢合金板，性能可靠，使用寿命长，操作方便。液压缸采用欧美著名的密封件。保证了设备运行的可靠性。

### More Durable Quality

Compared with similar crusher, XHP series multi-cylinder hydraulic cone crusher has reliable performance, longer service life and convenient operation, because it adopts casting process designed by casting simulation software, cast steel produced by electric-art furnace melting technology, and high-quality manganese steel alloy plate. Furthermore, the hydraulic cylinder adopts well known seal from the Europe and United States. Those ensure the reliability of equipment operation.

## 停机维护时间短，出勤率高

普通圆锥破碎机在铁块堵塞空腔时会停机，焦作中鑫重工XHP系列多缸液压圆锥破具有双向过铁释放液压缸能够让铁块通过破碎腔，使圆锥破碎机停机时间缩短。小钢铁可以不停车就通过。液压清渣破碎腔行程大，与衬板磨损无关，清渣容易，减少停机时间，稳定了工人的工作热情。

液压马达驱动的固定锥不仅可以精确调整出料口，而且可以将固定锥旋转到调整环螺纹以外，以便更换衬板。这大大减少了更换衬板的工作量。

先进的衬板固定方法，提高了衬板的可靠性；固定锥板与上方螺旋锥通过楔块啮合，形成自锁；活动锥板采用自锁式锁紧螺栓固定，使衬板更换更加容易。

### Short Downtime and Maintenance, High Attendance Rate

The ordinary cone crushers will stop when iron blocks the cavity, but XHP series hydraulic cone crusher of Zhongxin Heavy Industry has double side iron protection device, which makes cone crusher have shorter downtime. Small iron steel can go through without stopping the machine. Hydraulic clearing crushing cavity has big stroke and has nothing to do with liner abrasion, which can clean the clog easily, reduce the downtime and stabilize the passion of workers.

Fixed cone driven by hydraulic motor not only can adjust the discharging opening accurately, but also can rotate the fixed cone beyond the adjusting ring screw thread in order to change the liner. That greatly reduces the workload of liner replacement.

The advanced liner fixing method improves the reliability of the lining; fixed cone liner meshed with the spiral bevel above it by wedge, forming self-locking; movable cone liner is fixed by self-locking type lock bolts, which makes the liner replacement easier.

## 运行维护成本低

高性能、非接触式迷宫密封圈可以提高防尘的可靠性。简单的设计可以减少直接接触岩石和灰尘的活性成分。

破碎机的所有部件都有耐磨保护，包括罩壳、锥形给料板、配重衬板、主机衬板、无磨损衬板的料斗，可减少维护 and 成本。锰钢合金板。液压缸采用欧美著名品牌的密封件。保证了设备运行的可靠性。

### Low Operating and Maintenance Cost

High performance and non-contact labyrinth seal can improve the reliability of dust prevention. Simple design can reduce the activity components which shall directly touch rock and dust.

All the components of crusher have wear protection, including mantle, cone feed plate, counterweight liner, liner plate of main machine, and hopper with liner of no wear which can reduce the maintenance and cost.



### 操作方便，维护方便

采用液压马达负载调整出料口尺寸非常方便，使破碎回路平衡，实现了较高的生产效率。

如果要用DCS集散控制系统实现全自动控制，只需安装液压马达位置传感器即可跟踪破碎机的出料口尺寸。

所有部件均能从破碎机顶部或侧面拆卸和维护，活动锥和固定锥拆卸方便，无需拆卸主机架和紧固螺栓。更换衬板方便。

### Easy Operation and Convenient Maintenance

Using hydraulic motor to adjust the discharging opening size on-load is very easy, which makes the crushing loop balance and realizes high production efficiency.

If you want to realize full-automatic control with DCS collecting and distributing control system, it only needs to install hydraulic motor position sensor to track the discharging opening size of the crusher.

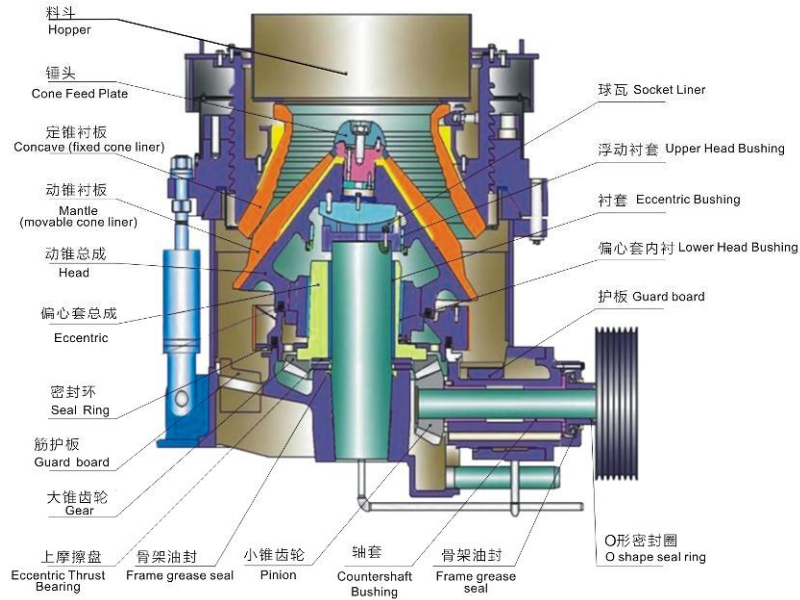
All the components can be disassembled and maintained from the top or side of crusher, and moveable cone and fixed cone are disassembled easily without dismounting main frame and fastening bolt. It is convenient to replace liner.

### 技术参数

### TECHNICAL PARAMETER

型号 Model	破碎腔型 Cavity	标准型 Standard Type		短头 Short head Type		功率 Power (kw)	生产能力 Capacity (t/h)	重量 Weight (t)
		紧边 给料口尺寸 Feeding opening Size(mm)	最小排料口 Min Discharging Opening Size(mm)	紧边 给料口尺寸 Feeding opening Size(mm)	最小排料口 Min Discharging Opening Size(mm)			
XHP200	超粗 (BC)					132-200	90-250	14
	粗 (C)	185	19	76	10			
	中 (M)	125	17	54	6			
	细 (F)	95	13	23	6			
	超细 (EF)			10	5			
XHP300	超粗 (BC)	230	25			180-250	115-440	19.96
	粗 (C)	210	20	75	10			
	中 (M)	150	15	50	8			
	细 (F)	105	10	20	6			
	超细 (EF)			20	6			
XHP400	超粗 (BC)	295	30			280-355	140-630	28.72
	粗 (C)	250	25	90	10			
	中 (M)	195	20	50	8			
	细 (F)	110	14	40	6			
	超细 (EF)			30	6			
XHP500	超粗 (BC)	330	30			355-450	175-790	38
	粗 (C)	285	25	90	13			
	中 (M)	200	20	55	10			
	细 (F)	133	16	40	8			
	超细 (EF)			35	6			
XHP800	超粗 (BC)	353	32			550-630	260-1200	64.1
	粗 (C)	297	32	160	13			
	中 (M)	250	25	100	10			
	细 (F)	220	16	50	5			
	超细 (EF)							

技术参数如有变动，恕不另行通知。 Any change of technical data shall not be advised additionally.



**技术参数 TECHNICAL PARAMETER** 破碎机生产能力(根据瞬时取样测定) Capacity of crusher (measure according to the instantaneous sampling)

型号 Type	t/h	闭口边排料口 Min. discharging opening									
		10mm	13mm	16mm	19mm	22mm	25mm	32mm	38mm	45mm	51mm
XHP200	t/h	90-120	120-150	140-180	150-190	160-200	170-220	190-235	210-250		
XHP300	t/h	115-140	150-185	180-220	200-240	220-260	230-280	250-320	300-380	350-440	
XHP400	t/h	140-175	185-230	225-280	255-320	275-345	295-370	325-430	360-490	410-560	465-630
XHP500	t/h	175-220	230-290	280-350	320-400	345-430	365-455	405-535	445-605	510-700	580-790
XHP800	t/h	260-335	325-425	385-500	435-545	470-600	495-730	545-800	600-950	690-1050	785-1200

技术数据如有变动, 恕不另行通知。 Any change of technical data shall not be advised additionally.

表中所列破碎机的生产能力是基于“瞬时”取样的结果。

生产能力表可作为圆锥破碎机初步选型工具, 表中数据为

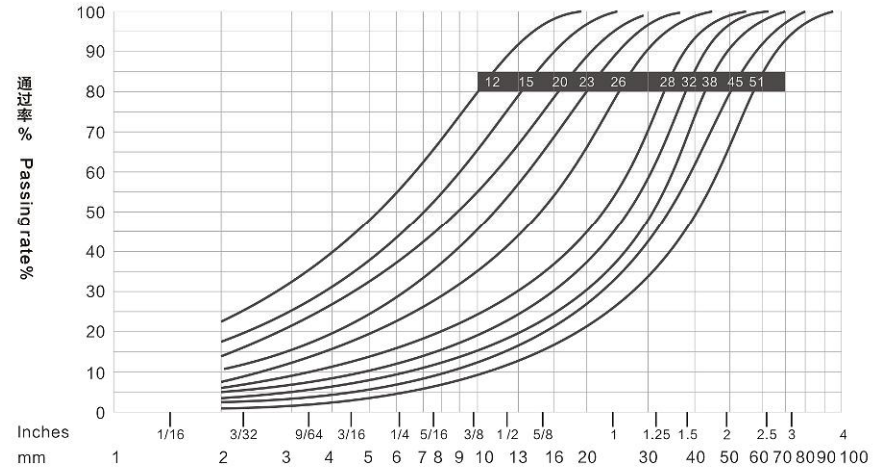
1. 松散密度1.6t/m<sup>3</sup>的给料。
2. 给料中筛除小于排料口粒度。
3. 开路作业, 在给料中细粒级含量较高, 闭路作业条件下, 设备能力比开路作业高15%-30%, 破碎机作为生产回路中的一个重要组成部分, 其性能发挥部分取决于给料机、皮带机、振动筛、支撑结构、电动机、传动装置及料仓等的正确和操作使用。

The data in the table is based on the results of instantaneous sampling.  
The capacity table can be used for preliminary selection of cone crusher.

The data indicates:

1. Bulk density of raw material for crushing is 1.6t/m<sup>3</sup>;
2. Raw material whose particle size is smaller than the discharge opening should be separated aside before feeding.
3. For open circuit operation, the content of fine particles in the feedstock is high. Under closed circuit operation conditions, the equipment capacity is 15% -30% higher than open circuit operation. The crusher is an important part of the production circuit, and its performance is partly played. Depends on the correct and operational use of feeders, belt conveyors, vibrating screens, support structures, motors, transmission devices and silos.

**粒度分布曲线**  
Particle Size Distribution Curve



- 曲线上的数字为排料口尺寸。
- 粒度和生产能力与给料粒度、破碎腔型、物料可碎性、物料洁净度、水分含量等因素有关。
- The figure on curve is the size of discharge opening.
- The particle size and capacity are related to feeding particle size, crusher cavity type, material fragility, moisture content, etc..



## » DP系列单缸液压圆锥破碎机

### DP Series Single Cylinder Hydraulic Cone Crusher

#### 产品介绍

单缸液压圆锥破碎机广泛应用于矿山、冶炼、建材、公路、铁路、水利和化学工业等众多部门，可以破碎铁矿石、石灰石、花岗岩等中硬强度以及以上的物料。本机拥有巨大的破碎能力、连续稳定的运转、粒型整齐、自动液压清腔、处理量高等优点，是适用于中碎和细碎的理想设备。

#### Brief Introduction

Single cylinder hydraulic cone crusher is widely applied in mining, metallurgy, construction, chemical industry etc. It can crush all kinds of medium hard or above material, such as iron ore, granite. This kind of machine has the features of big crushing ratio, continuous operating, even granularity, automated hydraulic clearing system, high capacity, simple structure and low operating cost, it is more suitable for medium and fine crushing.

#### 特点和优势

1. 粒型整齐;
2. 巨大的破碎能力;
3. 连续稳定的运转;
4. 产量高;
5. 动、定锥衬板的更换迅速、容易;
6. 高效旋转供料装置使衬板磨损均一;
7. 防止因铁质混入的自动过载保护。

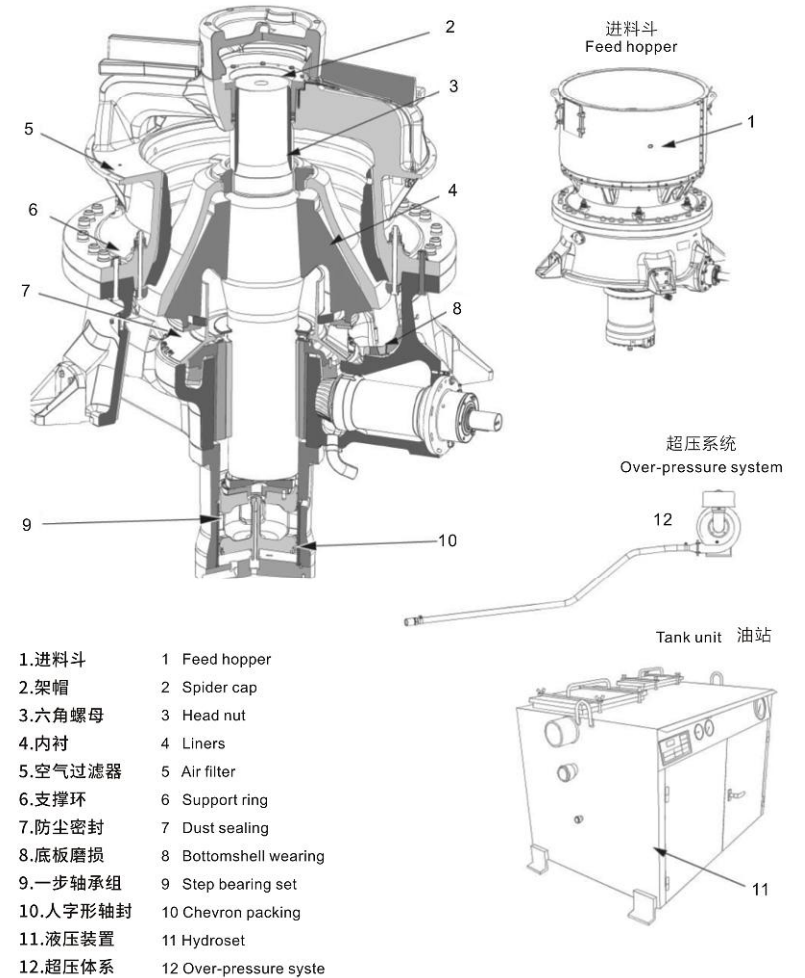
#### Features and Advantages

1. Even final product particle size;
2. Strong crushing capacity;
3. continuous and stable operation;
4. High capacity;
5. Makes replacement of mantle and concave quicker and easier;
6. High-efficiency rotating feeding device makes the liner abrade evenly;
7. Automatic overload protection in case iron material drops into the cavity.



#### 附有编号的概述

Overview with section number reference





技术参数

TECHNICAL PARAMETER

型号 Model	DP100S	DP100	DP430S	DP430	DP440S	DP440	DP660S	DP660	DP780S	DP870
总量 Weight(kg)	7350	5700	12000	9200	19300	14300	35700	26800	53865	49800
最大检修重量 Maximum inspection weight(kg)	2800	2000	5200	3000	8200	4800	16800	8600	13470	13200
电机功率 Power(kw)	90	90	132	132	220	220	315	315	450	500

型号 Model	腔型 Cavity	最大给料尺寸 Max feeding size (mm)	排料口 (CSS) 对应产量 The capacity of Corresponding Discharge opening size (t/h)															
			19mm	22mm	25mm	29mm	32mm	35mm	38mm	41mm	44mm	48mm	51mm	54mm	60mm	64mm	70mm	76mm
DP430S	EC (特粗) Supre Coarse	300			126	138-173	147-230	156-293	165-310	174-327	183-344	196-306	205-256					
	C (粗) Coarse	300	108	116-145	127-199	135-254	144-270	152-285	161-301	196-264	108							
	MC (中粗) Medium Coarse	235	91	98-123	106-166	116-218	124-232	131-246	139-261	147-275	154-241	165						
DP440S	EC (特粗) Supre Coarse	450					267	282-353	298-446	313-563	334-601	350-524	365-456					
	C (粗) Coarse	400			225	239-299	254-381	269-484	284-511	298-448	318-398	333						
	MC (中粗) Medium Coarse	300		195	214-267	228-342	242-436	256-461	270-486	284-426	303-378	317						
DP660S	EC (特粗) Supre Coarse	560						349	368-460	392-568	410-718	428-856	465-529	489-978	525-1050	562-983		
	C (粗) Coarse	500					318	336-420	353-618	376-753	394-788	411-823	446-892	469-822	504-631			

型号 Model	腔型 Cavity	最大给料尺寸 Max feeding size (mm)	排料口 (CSS) 对应产量 The capacity of Corresponding Discharge opening size (t/h)									
			60mm	64mm	70mm	76mm	83mm	90mm	96mm	100mm	110mm	120mm
DP780S	EC (特粗) Supre Coarse	680	436	460-658	500-840	512-1025	612-1223	663-1327	700-1398	750-1600	800-1400	850
型号 Model	腔型 Cavity	最大给料尺寸 Max feeding size (mm)	排料口 (CSS) 对应产量 The capacity of Corresponding Discharge opening size (t/h)									
			20mm	25mm	30mm	35mm	40mm	45mm				
DP100S	SM (特中) Medium Coarse	170	85-90	105-145	125-175	145-200	165-215					

技术数据如有变动, 恕不另行通知。 Any change of technical data shall not be advised additionally.

型号 Model	腔型 Cavity	最大给料尺寸 Max feeding size (mm)	排料口 (CSS) 对应产量 The capacity of Corresponding Discharge opening size (t/h)																	
			6mm	8mm	10mm	13mm	16mm	19mm	22mm	25mm	32mm	38mm	44mm	51mm	57mm	64mm	71mm			
DP100	M (中) Medium	105			55-60	60-85	65-95	70-100	75-90											
	MF (中细) Medium fine	85		45-50	50-70	55-80	60-58	65-90	65-80											
	EF (特细) Super fine	32	40-55	40-60	45-70	55-75	60-75	65												
DP430	EC (特粗) Supre Coarse	185				69-108	75-150	80-161	86-171	91-182	104-208	115-208								
	C (粗) Coarse	145				66-131	71-142	76-152	81-162	86-173	98-197	109-150								
	MC (中粗) Medium Coarse	115			57	62-140	67-151	72-162	77-173	82-184	93-145									
	M (中) Medium	90			64-84	69-131	75-142	80-152	86-162	91-154	104									
	MF (中细) Medium fine	75		61	65-106	70-115	76-124	81-126	87-114	92										
	F (细) FINE	50	48-78	51-83	54-88	59-96	63-103	68-105	72-95	77										
EF (特细) Super fine	35																			
DP440	EC (特粗) Supre Coarse	215					114-200	122-276	131-294	139-313	159-357	175-395	192-384							
	C (粗) Coarse	175				101	109-218	117-292	125-312	133-332	151-378	167-335	183-229							
	MC (中粗) Medium Coarse	140				97-122	105-262	113-282	120-301	128-320	146-328	161-242								
	M (中) Medium	110				117-167	126-278	136-298	145-318	154-339	175-281	194								
	MF (中细) Medium fine	85			114	124-227	134-245	144-263	153-281	163-299	186-248									
	F (细) FINE	70		90-135	96-176	104-191	112-206	120-221	129-236	137-251	156-208									
EF (特细) Super fine	38																			
DP660	EC (特粗) Supre Coarse	270						177	190-338	203-436	216-464	246-547	272-605	298-662	328-511					
	CX (特粗) Supre Coarse	235						174-194	187-374	200-488	212-519	242-592	268-654	293-521	323-359					
	C (粗) Coarse	215						171-190	184-367	196-480	209-510	238-582	263-643	288-512	317-353					
	MC (中粗) Medium Coarse	175						162-253	174-426	186-455	198-484	226-552	249-499	273-364						
	M (中) Medium	135						197-295	211-440	226-470	240-500	274-502	302-403							
	MF (中细) Medium fine	115						192	207-369	222-396	237-423	252-450	287-451	318-363						
DP870	F (细) FINE	90						195-304	210-328	225-352	241-376	256-400	292-401	323						
	EF (特细) Super fine	65						211-293	227-316	244-298	261-290									
	EC (特粗) Supre Coarse	300									448-588	477-849	544-968	601-1070	658-1172	725-1291	782-1393	849-1512	906-1331	
	C (粗) Coarse	240								406	433-636	461-893	525-1018	581-1125	636-1232	700-1357	756-1464	820-1461	876-1286	
	MC (中粗) Medium Coarse	195									380-440	406-723	432-837	492-954	544-1055	596-1155	657-1272	708-1373	769-1370	821-1206
	M (中) Medium	155									400-563	428-786	455-836	519-953	573-1054	628-1154	692-1271	746-1372	810-1248	865-1098
DP870	MF (中细) Medium fine	100									379-424	407-716	434-765	462-814	527-928	582-942	638-789	702		
	F (细) FINE	90									357-395	385-656	414-704	442-752	470-800	535-912	592-857	649-718		
	EF (特细) Super fine	80									280-405	304-517	328-558	352-598	376-639	400-680	455-775	503-758	551-669	

技术数据如有变动, 恕不另行通知。 Any change of technical data shall not be advised additionally.

## » PXH系列旋回式破碎机 PXH Series Gyratory Crusher

### 产品介绍

PXH系列旋回式破碎机集机械、液压、电气、自动化和智能控制等技术于一体，对标国际先进的旋回式破碎机，是一款大产能、高效率及智能化的新型粗碎设备，与传统旋回破碎机相比，破碎效率高、使用成本低、维护调整方便，可以给用户提供更高效智能的超大产能粗碎解决方案。

### Brief Introduction

PXH series gyratory crusher mechanical, hydraulic, electrical, automation and intelligent control technology, and to mark the international advanced gyratory crusher, is a large-capacity, high efficiency and intelligent new crushing equipment, and Compared with the traditional gyratory crusher, it has high crushing efficiency, low use cost, and convenient maintenance and adjustment, which can provide users with more efficient and intelligent super-capacity coarse crushing solutions.

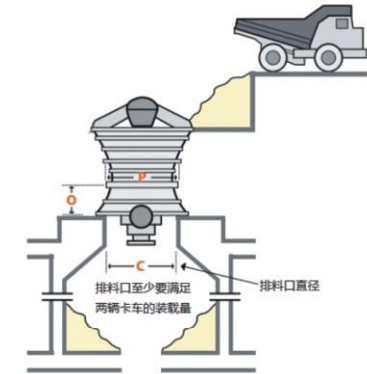
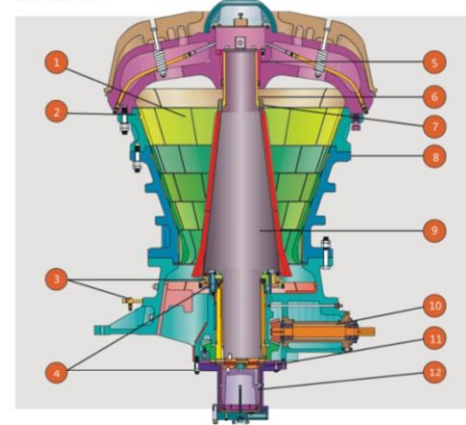


### 产品优势

- (1) 破碎腔能够适用于各种破碎应用条件，破碎性能优异。
- (2) 锰钢磨损件为标准部件，铬合金的定锥衬板和下机架衬板为选装件。
- (3) 有效的防尘密封装配有一个正压鼓风机，防止灰尘进入偏心装置和驱动装置，延长破碎机轴承的寿命。
- (4) 平衡式设计，是移动或固定式破碎作业的理想设计，使传递到破碎机支承构架上的冲击力小。
- (5) 横梁衬套和密封，无需拆下横梁，便可轻易更换，这减少因停车造成的人力、时间和设备消耗及产量损失。
- (6) 重型化整体式主轴，配备专利的合金钢螺纹主轴套，减小主轴的应力。
- (7) 带切割环的动锥锁紧螺母可使动锥衬板的拆卸更加简单。
- (8) 高强度机架设计，即使在最恶劣的破碎条件下，也能够无故障工作，且延长使用寿命。
- (9) 主轴和动锥铸成一体，避免破碎过程中动锥松动。
- (10) 大齿轮和小齿轮齿隙的外置式调节装置。
- (11) 止推轴承磨损指示器可在达到磨损厚度时向润滑油中释放无害的银粉。
- (12) 主轴位置控制系统可对主轴进行轻松调节，以补偿衬板的磨损，控制产品粒度。

### Feature

1. The crushing chamber can be adapted to various crushing application conditions, with the better crushing performance.
2. Manganese steel wear parts are standard parts, chrome alloy fixed cone lining and lower frame lining are optional parts.
3. The effective dustproof seal is equipped with a positive pressure blower to prevent dust from entering the eccentric device and the driving device and extend the life of the crusher bearing.
4. Balanced design is an ideal design for mobile or fixed crushing operations, which reduce the impact force transmitted to the crusher's support frame.
5. The beam bushings and seals can be easily replaced without removing the beam, which reduces manpower, time, equipment consumption and production losses caused by parking.
6. The heavy-duty integrated spindle is equipped with a patented alloy steel threaded spindle sleeve to reduce the stress of the spindle.
7. Patented moving cone lock nut with cutting ring makes the removal of the moving cone liner easier.
8. High-strength frame design, even under the most severe crushing conditions, can work without failure and prolong service life.
9. The main shaft and the moving cone are cast into one body to avoid the loosening of the moving cone during the crushing process.
10. External adjustment device for large gear and small gear backlash.
11. Patent thrust bearing wear indicator releasably harmless silver in the lubricating oil reaches the worn thickness
12. The spindle position control system can easily adjust the spindle to compensate for the wear of the liner and control the product size



### 工作原理

旋回破碎机主要由横梁部、上中下机架部、动锥部、偏心套部、传动部和液压缸部等组成，由电动机带动水平轴旋转，水平轴通过齿轮带动偏心套旋转，再由偏心套带动动锥部做圆周摆动，从而实现连续的挤压破碎石块。

通过调整处于动锥底部液压缸可以使动锥上下运动从而方便的调整排料口的大小，方便地调整产品粒度大小。同时液压缸也提供过铁保护功能，当有不可破碎的物体（如铁块）进入破碎腔时，液压缸能自动使动锥下落，从而释放铁块，继续破碎。

### Working principle

Gyratory crusher is mainly that the cross section of the upper portion of the lower frame, moving cone portion, the eccentric portion, the drive portion and the cylinder portion, etc., rotated by a motor driven horizontal shaft, a horizontal shaft driven by the eccentric rotation of the gear, and then driven by the eccentric portion in a circular cone movable pivot so as to achieve a continuous extrusion crushed stones.

By adjusting the hydraulic cylinder at the bottom of the moving cone, the moving cone can be moved up and down to conveniently adjust the size of the discharge port and the size of the product particle size. At the same time, the hydraulic cylinder also provides iron protection function. When an unbreakable object (such as iron block) enters the crushing chamber, the hydraulic cylinder can automatically make the moving cone fall, thereby releasing the iron block and continuing to crush.



### 技术参数 TECHNICAL PARAMETER

破碎机规格 Model	给料口 Feeding size mm(in)	小齿轮 Pinion RPM	最大功率 Power kW (HP)	松边排料口 loose side discharge opening											
				125 mm (5.0")	140 mm (5.5")	150 mm (6.0")	165 mm (6.5")	175 mm (7.0")	190 mm (7.5")	200 mm (8.0")	215 mm (8.5")	230 mm (9.0")	240 mm (9.5")	250 mm (10.0")	
42-65	1065 (42)	600	375 (500)	—	2010 (2220)	2335 (2575)	2515 (2775)	2870 (3165)	—	—	—	—	—	—	—
50-65	1270 (50)	600	375 (500)	—	—	2395 (2645)	2780 (3065)	2935 (3240)	—	—	—	—	—	—	—
54-75	1370 (54)	600	450 (600)	—	—	2885 (3185)	2985 (3295)	3145 (3470)	3335 (3680)	3485 (3845)	—	—	—	—	—
62-75	1575 (62)	600	450 (600)	—	—	2890 (3190)	3615 (3985)	3815 (4210)	4205 (4640)	4330 (4775)	—	—	—	—	—
60-89	1525 (60)	600	600 (800)	—	—	—	4195 (4625)	4540 (5005)	5080 (5600)	5295 (5840)	5530 (6100)	5805 (6400)	—	—	—
60-110E	1525 (60)	600	1200 (1600)	—	—	—	—	5535 (6100)	6945 (7655)	7335 (8085)	7570 (8345)	8280 (9130)	8595 (9475)	8890 (9800)	—

技术数据如有变动，恕不另行通知。 Any change of technical data shall not be advised additionally.

上述处理能力均根据以下假设条件：给料100%通过给料口宽度的80%；80%通过给料口宽度的60%，50%通过尺寸为最大给矿块度的10%的筛孔。这些能力值适用于松散密度为1.6 t/m<sup>3</sup>(100 lb/in<sup>3</sup>)的物料。

The above processing capacity is based on the following assumptions: 100% of the feed material passes through 80% of the width of the feed port; 80% passes through 60% of the width of the feed port, and 50% passes through a sieve with a size of 10% of the maximum feed block size. These capacity values apply to materials with a bulk density of 1.6 t/m<sup>3</sup> (100 lb/in<sup>3</sup>).

所有能力值均为各设备的最大偏心距时的计算值。所有能力均取决于不同应用。确定总破碎能力时的考虑因素包括：物料特性、给料粒度、物料分布、功指数、水含量和给料方法。请咨询焦作中鑫重工机械有限公司，以确定您的处理能力要求。

All capability values are calculated at the maximum eccentricity of each device. All capabilities depend on different applications. Factors to consider when determining the total crushing capacity include: material characteristics, feed particle size, material distribution, work index, water content, and feed method. Please consult Jiaozuo Zhongxin Heavy Industrial Machinery Co., Ltd. to determine your processing capacity requirements.



### 技术参数 TECHNICAL PARAMETER

破碎机规格 Model	重量 Weight	破碎机重量 Weight	横梁总成 Beam assembly	上机架总成 Upper frame assembly	主轴总成 Main shaft assembly	下机架总成 Lower frame assembly	主轴位置控制总成 Spindle position control assembly	偏心总成 Eccentric assembly	
									kg
42-65	119,750 264,000	20,500 45,200	36,330 80,100	23,130 51,000	29,570 65,200	4,040 8,900	3,080 6,800		
50-65	153,300 338,000	30,840 68,000	54,880 121,000	28,120 62,000	29,570 65,200	4,040 8,900	3,080 6,800		
54-75	242,220 534,000	38,100 84,000	85,050 187,500	38,560 85,000	62,140 137,000	5,400 11,900	5,720 12,600		
62-75	298,460 658,000	69,850 154,000	109,320 241,000	42,180 93,000	62,240 137,200	5,400 11,900	5,720 12,600		
60-89	398,250 878,000	65,320 144,000	154,680 341,000	66,220 146,000	82,780 182,500	10,430 23,000	8,940 19,700		
60-110E	553,383 1,220,000	103,964 229,200	169,010 372,600	103,874 229,000	114,986 253,500	21,275 46,900	17,900 39,460		

技术数据如有变动，恕不另行通知。 Any change of technical data shall not be advised additionally.

## » PSG系列圆锥破碎机 PSG Series Cone Crusher

### 产品特点

PSG系列圆锥破碎机广泛应用于冶金工业、建材工业、筑路工业、化学工业与硅酸盐工业中，适用于破碎中等和中等以上硬度的各种矿石和岩石。

本机具有破碎力大、效率高、处理量大、运作成本低、调整方便等特点。材质选用了优质材料，结构设计合理，并且破碎的产品粒度均匀，减少了循环负荷。在中、大规格破碎机中，采用了多缸液压清腔系统，减少了停机时间，降低了操作劳动强度。而且每种破碎机有多种腔型，用户可根据不同的需要，选择不同的腔型。

本机密封采用可补偿式润滑脂密封，极大限度避免了粉尘对润滑油的污染，使整机各零部件工作更加可靠，使用寿命长。本机的安全保险系统采用多组弹簧结构，可使异物、铁块通过破碎腔而不危害破碎机，简单可靠。本机分为标准型和短头型，标准型一般用于中碎，短头型用于中、细碎。



### Product Features

The PSG series cone crusher is widely used in metallurgical industry, construction materials industry, road building industry, chemical industry and silicate industry. It is suitable to crush ores and rocks with medium hardness and medium hardness above.

It has features of strong crushing force, reliable structure, high efficiency, high capacity, low operation cost, easy adjustment, economical to use and so on. In the medium and large type of cone crusher, multi-cylinder hydraulic locking clearing system can decrease downtime and save the working strength. The PSG series also use the hydraulic locking and machinery which is more reliable. Importantly, every type has several cavity types, the customer can choose different cavity type according to different requirement.

Also PSG series cone crusher use compensating lubricating grease sealing, which can avoid lubrication oil being polluted by dust, so that all parts work reliably and have a long operating life. The safety insurance system uses spring sets, so the foreign matter and iron ore are down from the crushing cavity and do not damage the crusher, simply and reliably.

### 技术参数

### TECHNICAL PARAMETER

规格 Type	型号 Model	腔型 Cavity type	破碎锥 大端直径 Diameter of cone (mm)	排料口 调整范围 Adjusting range of discharge opening (mm)	推荐最小排 料口时开口 边给料尺寸 Recommend feeding size when the minimum output size (mm)	最大给 料尺寸 Max feed size (mm)	处理 能力 Capacity (t/h)	主电动机 功率 Main motor power (kw)	机器本 机重量 Weight (kg)	外形尺寸 (长×宽×高) Overall dimension (L×W×H) (mm)
2'FT	PSGB-0607	标准细型 Standard fine	600	6-38	70	60	16-50	30	4500	2195×1158 ×1651
	PSGB-0609	标准中型 Standard medium		10-38	95	80	18-65			
	PSGB-0611	标准粗型 Standard coarse		13-38	110	90	22-70			
	PSGD-0603	短头细型 Short head fine		3-13	35	30	9-35			
	PSGD-0605	短头粗型 Short head coarse		5-16	50	40	22-70			
3'FT	PSGB-0910	标准细型 Standard fine	900	9-22	102	85	45-91	75	9980	2656×1636 ×2241
	PSGB-0917	标准粗型 Standard coarse		13-38	175	150	59-163			
	PSGB-0918	标准特粗型 Standard super coarse		25-38	178	150	118-163			
	PSGD-0904	短头细型 Short head fine		3-13	41	35	27-90	10530		
	PSGD-0906	短头中型 Short head medium		3-16	76	65	27-100			
	PSGD-0907	短头粗型 Short head coarse		6-19	102	85	59-129			
4.25'FT	PSGB-1313	标准细型 Standard fine	1295	13-31	137	115	109-181	160	22460	2983×1866 ×3156
	PSGB-1321	标准中型 Standard medium		16-38	210	178	132-253			
	PSGB-1324	标准粗型 Standard coarse		19-51	241	205	172-349			
	PSGB-1325	标准特粗型 Standard super coarse		25-51	259	220	236-358	22590		
	PSGD-1306	短头细型 Short head fine		3-16	64	54	36-163			
	PSGD-1308	短头中型 Short head medium		6-16	89	76	82-163			
	PSGD-1310	短头粗型 Short head coarse		8-25	105	89	109-227			
	PSGD-1313	短头特粗型 Short head super coarse		16-25	133	113	118-236			

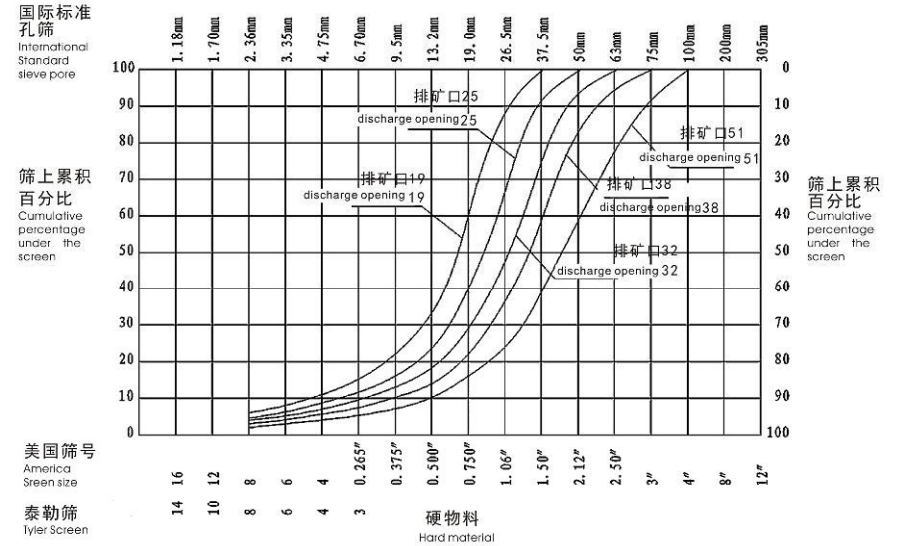
技术数据如有变动，恕不另行通知。 Any change of technical data shall not be advised additionally.

技术参数

TECHNICAL PARAMETER

规格 Type	型号 Model	腔型 Cavity type	破碎锥大端直径 Diameter of cone (mm)	排料口调整范围 Adjusting range of discharge opening (mm)	推荐最小排料口时开口边给料尺寸 Recommend feeding size when the minimum output size (mm)	最大给料尺寸 Max feed size (mm)	处理能力 Capacity (t/h)	主电动机功率 Main motor power (kw)	机器本重量 Weight (kg)	外形尺寸 (长×宽×高) Overall dimension (L×W×H) (mm)
5.5'FT	PSGB-1620	标准细型 Standard fine	1676	16-38	209	178	181-327	250	43270	3941×2954×3771
	PSGB-1624	标准中型 Standard medium		22-51	241	205	258-417			
	PSGB-1626	标准粗型 Standard coarse		25-64	269	228	299-635			
	PSGB-1636	标准特粗型 Standard super coarse		38-64	368	313	431-630			
	PSGD-1607	短头细型 Short head fine		5-13	70	60	90-209	43870		
	PSGD-1608	短头中型 Short head medium		6-19	89	76	136-281			
	PSGD-1613	短头粗型 Short head coarse		10-25	133	113	190-336			
	PSGD-1614	短头特粗型 Short head super coarse		13-25	133	113	253-336			
7'FT	PSGB-2127	标准细型 Standard fine	2134	19-38	278	236	544-1034	400	86730	4613×3302×4638
	PSGB-2133	标准中型 Standard medium		25-51	334	284	862-1424			
	PSGB-2136	标准粗型 Standard coarse		31-64	369	314	1125-1814			
	PSGB-2146	标准特粗型 Standard super coarse		38-64	460	391	1252-1941			
	PSGD-2110	短头细型 Short head fine		5-16	105	89	218-463	89500		
	PSGD-2113	短头中型 Short head medium		10-19	133	113	404-580			
	PSGD-2117	短头粗型 Short head coarse		13-25	178	151	517-680			
	PSGD-2120	短头特粗型 Short head super coarse		16-25	203	172	580-744			

技术数据如有变动, 恕不另行通知。 Any change of technical data shall not be advised additionally.



物料特性—中等硬度/坚硬  
开路循环  
产品粒度分析 (通过量百分比)  
The material characteristic—medium hardness/hard  
Open cycle  
Product size analysis (percent of throughput)

产品粒度 Product size (mm)	闭口边排料口 (mm) Min. discharge opening (mm)							
	6mm	10mm	13mm	19mm	25mm	32mm	38mm	50mm
100mm								100
76mm							100	91
64mm						100	95	82
50mm					100	93	86	70
38mm				100	92	80	76	60
32mm				95	82	70	60	41
25mm			100	86	70	54	44	32
19mm		100	86	70	51	39	28	22
13mm	100	86	70	60	44	32	21	17
10mm	94	92	60	51	40	25	16	13
6mm	70	60	44	33	22	14	11	9
5mm	50	39	32	21	17	11	8	7
3mm	34	23	23	15	12	8	6	5
2mm	25	16	17	11	9	6	4	3

注: 列表数据随给料方法、破碎腔型、物料容量、物料清洁度、物料湿度及断裂特性不同而变化, 精确值需由实验确定。  
Note: The data in the diagram will be changed according to the different feeding methods, crushing cavity type, material volume, material cleanliness, material wetness and fracture characteristics. The precise value is determined by the experiment.

## » ZX系列复合圆锥破碎机 ZX Series Compound Cone Crusher

### 产品介绍

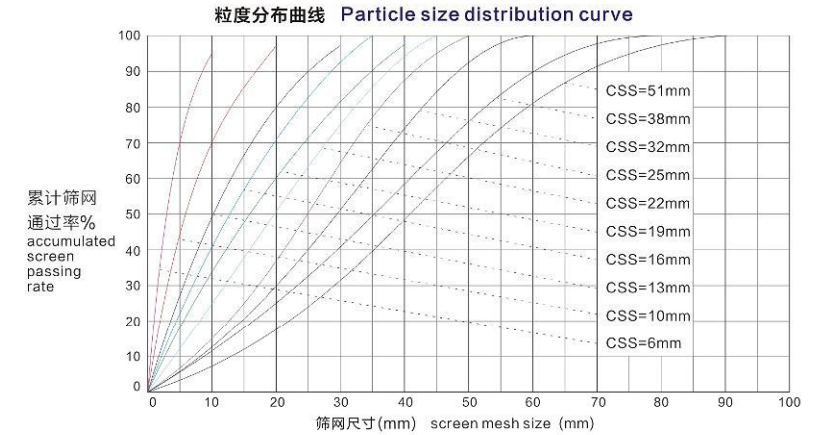
焦作中鑫ZX复合圆锥破碎机是引进国外先进技术研制生产的高能圆锥破碎机，性能稳定，质量过硬。独特的液压清腔、液压调整排料口功能，动定齿板更换无需填料，极大地便利了用户，降低设备管理及维护成本。



### Brief Introduction

Jiaozuo Zhongxin ZX compound cone crusher is a high performance cone crusher and it is manufactured by the introduced advanced foreign technology with reliable performance and superior quality.

It has unique hydraulic clearing system, hydraulic opening adjusting function, easy for changing movable and fixed plate, reducing management and maintenance cost. It is widely used for medium and fine crushing of granite, basalt, diabase, cobble, cobblestone, iron ore etc, which is popular accepted by customers.



### 技术参数

### TECHNICAL PARAMETER

型号 Model	腔型 Cavity Type	最大给矿粒度 Max. Feeding Size(mm)	排料口调整范围 Discharging Opening Adjustment Scope(mm)	开路生产时的处理能力 Capacity (t/h)	电机功率 Motor power (kw)	机器参考重量 Weight (t)
ZX1950C-D	粗碎 Coarse	350	60-110	330-725	315	45
ZX1950Z-D	中碎 Medium Coarse	180	19-40	230-330	315	45
ZX1650C <sub>2</sub> -D	粗碎 Coarse	300	35-65	280-610	250	35
ZX1650C-D	粗碎 Coarse	260	30-60	265-580	250	35
ZX1650Z-D	中碎 Medium Coarse	240	25-50	240-550	250	35
ZX1400C-D	粗碎 Coarse	235	30-60	210-530	220	25
ZX1400Z-D	中碎 Medium Coarse	215	25-50	200-500	220	25
ZX1400Z-X	中碎 Medium Coarse	180	22-45	180-475	220	25
ZX1200C-D	粗碎 Coarse	180	19-50	110-250	132	16
ZX1300C-D	粗碎 Coarse	200	16-51	135-350	160	215
ZX1300Z-D	中碎 Medium Coarse	150	13-25	105-180	160	215

技术参数如有变动，恕不另行通知。 Any change of technical data shall not be advised additionally.

注1: 表中的机器参数不包括电机，电控设备、润滑站、液压站的重量；

注2: 表中的破碎机处理能力是满足下列条件时的设计通过量；

a)物料含水量不超过4%，不含粘土；

b)给料粒度小于排矿口的细颗粒物占给料重量的10%以下，且给料在破碎腔360°圆周均布；

c)给料松散密度1.6t/m<sup>3</sup>，抗压强度150Mpa。

注3: 根据矿山物料物理性能、给料方式、进料粒度及其来料的含水量、粘土含水情况的不同，表中的“处理能力”数据会有所不同。闭路生产“处理能力”略低于开路生产。

Note:

1. The specification in the form doesn't include the weight of motor, electric control equipment, lubrication station or hydraulic station.

2. The capacity in the form refers to the throughput when meet the following conditions;

a)The moisture content of material lower than 4%, no clay

b)The amount of feeding size which smaller than discharging opening size shall less than 10% of the total feeding capacity, and evenly distributed in the crushing cavity.

c)The density of feeding size is 1.6t/m<sup>3</sup>. compression strength is 150 Mpa.

3. The capacity in the form will be different according to the physical property, feeding type, feeding size, and the moisture, clay content of the mining ore or quarry. The capacity of closed circuit production will be slightly less than in open circuit production.

## » PY系列弹簧圆锥破碎机 PY Series Spring Cone Crusher

### 产品介绍

弹簧圆锥破碎机适用于破碎中等以上硬度的各种矿石和岩石，具有结构可靠、生产效率高、调整方便、使用经济等特点。其弹簧保险系统起过载保护作用，可使异物铁块通过破碎腔而不危害破碎机。采用甘油密封形式，使粉尘与润滑油隔离，保证可靠工作。可根据客户需求选择标准型、中型和短头型进行粗碎、中碎和细碎作业。

### Brief Introduction

Spring cone crusher is suitable to crush all kinds of ores and rocks with medium hardness and above. It has features of reliable structure, high efficiency, high capacity, low operating cost, easy adjustment, economical to use and so on. Spring system plays the role of overload protection, which will enable the foreign materials or steel piece to pass through the crushing chamber without any lubricants, therefore ensure its reliable operation. According to customer demand, respectively, standard type, medium crushing and fine crushing are optional during operation.



### 性能特点

1. 破碎力大、效率高、处理量大；
2. 运作成本低、调整方便、使用经济；
3. 由于零件选材与结构设计合理，故使用寿命长；
4. 减少停机时间；
5. 每种破碎机有多种腔型，用户可根据不同的需要，选择不同的腔型。

### Feature

1. Strong crushing force, High efficiency, High crushing capacity;
2. Low operation and maintenance cost, easy to adjust;
3. As spare parts selection and structural design is reasonable, the lifespan will be longer;
4. Short downtime;
5. Different types of crushing chambers to meet different customers' requirements.



### 技术参数

### TECHNICAL PARAMETER

型号 Model	破碎锥直径 Dia. of cone (mm)	排料口调整范围 Adjusting range of discharge opening (mm)	最大进料粒度 Max feeding size (mm)	产量 Capacity (t/h)	电机功率 Motor power (kw)	重量 Weight (t)	外形尺寸 Overall dimension (mm)
PYB-600	600	12-25	65	15-25	30	5.5	1740×1225×1940
PYD-600		3-13	36	5-23	30	5.5	1740×1225×1940
PYB-900	900	15-50	115	50-90	55	10.18	1990×1640×2380
PYZ-900		5-20	60	20-65	55	10.19	1990×1640×2380
PYD-900		3-13	40	15-50	55	10.27	1990×1640×2380
PYB-1200	1200	20-50	145	110-200	110	24.7	2805×2300×2980
PYZ-1200		8-26	100	50-150	110	25	2805×2300×2980
PYD-1200		3-15	50	18-105	110	25.6	2805×2300×2980
PYB-1750	1750	25-60	215	280-480	155-160	50.6	3610×2950×4185
PYZ-1750		10-30	185	115-320	155-160	51	3610×2950×4185
PYD-1750		5-15	85	75-230	155-160	50.5	3610×2950×4185
PYB-2200	2200	30-60	300	590-1000	260-280	84	4790×3430×5080
PYZ-2200		10-30	235	200-580	260-280	85	4790×3430×5080
PYD-2200		5-16	110	120-370	260-280	85	4790×3430×4852

技术数据如有变动，恕不另行通知。 Any change of technical data shall not be advised additionally.

## » PE系列颞式破碎机

### PE Series Jaw Crusher

#### 产品简介

颞式破碎机主要用于抗压强度不超过320兆帕的各种物料的粗碎、中碎作业，具有破碎比大、产量高、产品粒度均匀、结构简单、工作可靠、维修简便、运营成本低等特点。该破碎机已广泛运用于矿山、冶炼、建材、公路、铁路、水利等行业。

#### Brief Introduction

Jaw Crusher is ideally suitable for primary and secondary crushing for material with compression strength less than 320MPa. Jaw Crusher has the features of high crushing ratio, larger capacity, even final product size, simple structure, reliable performance, convenient maintenance, lower operation cost, etc. It is widely used in mining, metallurgy, construction, highway, railroad and water conservancy industry, etc.

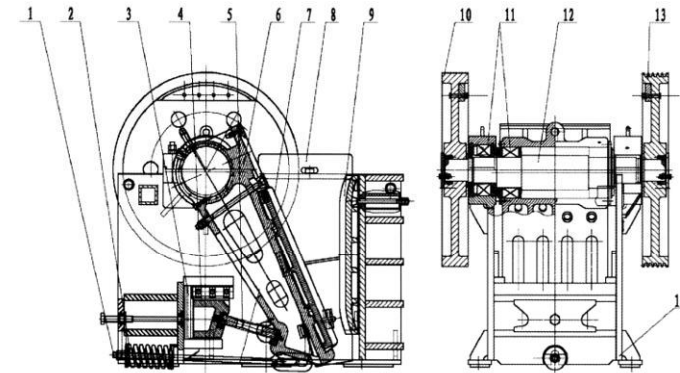


#### 特点及优势

1. 破碎比大、产品粒度均匀;
2. 垫片式排料口调整装置，可靠方便，调节范围大，可满足客户的需求;
3. 润滑系统安全可靠，部件更换方便，保养工作量小;
4. 结构简单、工作可靠、运营成本低;
5. 噪音低、粉尘少。

#### Features and Advantages

1. High crushing ratio, even final product size;
2. Adjusting wedge makes discharging opening have wide adjustable range, reliable and convenient, thus it is capable to meet various requirements of customers;
3. Lubrication system is safe and reliable, easily to replace the parts and small maintenance workload;
4. Simple structure, reliable performance, low maintenance and operating cost;
5. Little dust and low noise.



- |         |                 |        |                   |         |                 |         |               |
|---------|-----------------|--------|-------------------|---------|-----------------|---------|---------------|
| 1. 拉杆   | Draw Rod        | 5. 肘板  | Toggle Plate      | 9. 定颞板  | Fixed Jaw Plate | 13. 主动轮 | Driving Wheel |
| 2. 弹簧   | Spring          | 6. 动颞  | Movable Jaw       | 10. 从动轮 | Flywheel        | 14. 机架  | Frame         |
| 3. 调整垫片 | Adjusting Wedge | 7. 动颞板 | Movable Jaw Plate | 11. 轴承  | Bearing         |         |               |
| 4. 调整座  | Adjusting Seat  | 8. 护板  | Liner Board       | 12. 偏心轴 | Eccentric Shaft |         |               |

#### 技术参数

#### TECHNICAL PARAMETER

型号 Model	进料口尺寸 Feeding opening size (mm)	最大进料粒度 Max feeding size (mm)	出料口调整范围 Discharging opening size(mm)	生产能力 Capacity (t/h)	功率 Motor power(kw)	主机重量 Weight (t)	外形尺寸(长×宽×高) Overall dimension (L×W×H) (mm)
PE250×400	250×400	210	20-60	5-20	15	2.8	1180×1087×1245
PE400×600	400×600	340	40-100	16-60	30	6.65	1797×1716×1581
PE500×750	500×750	425	50-100	40-110	55	11.73	2119×1918×2046
PE600×900	600×900	500	75-160	64-128	75	15.33	2309×2028×2368
PE750×1060	750×1060	630	80-140	51-208	110	27	2776×2585×2760
PE870×1060	870×1060	740	170-270	180-360	110	31.22	2990×2416×2893
PE900×1200	900×1200	780	95-225	350-450	132	40	3371×2750×3250
PE1000×1200	1000×1200	850	195-280	280-550	132	41	3440×2750×3250
PE1200×1500	1200×1500	1020	150-300	400-800	220	89.5	4930×3334×4057
PE1300×1600	1300×1600	1100	130-280	800-950	315	102	4380×3397×4440
PE1500×1800	1500×1800	1200	220-350	450-1000	355	124.4	5370×3853×4646
PEX-150×750	150×750	120	18-48	8-25	15	3.5	1252×1593×1025
PEX-250×750	250×750	210	20-50	13-35	30	4.96	1435×1832×1715
PEX-250×1000	250×1000	210	25-60	16-52	30	6.5	1706×1964×1380
PEX-250×1200	250×1200	210	25-60	20-61	37	8.8	1700×2132×1450
PEX-300×1300	300×1300	250	20-90	25-95	75	12.6	2026×2320×1723

技术数据如有变动，恕不另行通知。 Any change of technical data shall not be advised additionally.

## » ZXC系列颚式破碎机

### ZXC Series Jaw Crusher

#### 产品简介

ZXC系列颚式破碎机，是我公司在二十多年生产传统PE系列颚式破碎机经验基础上，引进国际先进技术和研究成果，采用有限元分析方法成功开发的新一代产品，具有国际先进水平。

与传统的PE系列颚破相比，ZXC系列颚式破碎机的破碎腔、材料和轴承标准、制造工艺都有了革命性改变，其结构更坚固，可靠性更高，产量提高30%以上，单位运行成本降低20%以上，广泛应用于各类坚硬和高腐蚀性岩石的破碎，是金属矿山破碎处理和石料加工生产的理想产品。



#### Brief Introduction

ZXC series jaw crusher is a new generation product successfully developed by our company based on more than 20 years of experience in producing traditional PE series jaw crusher, introducing international advanced technology and research results, and adopting finite element analysis method Level.

Compared with the traditional PE series jaw crusher, ZXC series jaw crusher has revolutionary changes in the crushing cavity, material and bearing standards, manufacturing process, its structure is stronger, the reliability is higher, the output is increased by more than 30%. The operating cost is reduced by more than 20%, and it is widely used in the crushing of all kinds of hard and highly abrasive rocks. It is an ideal product for metal mine crushing treatment and stone processing production.

#### 特点及优势

1. 采用“V”形破碎腔和大倾角切换板，使进料尺寸更大，产量更高。
2. 采用专业制造工艺和优质的制造材料，实现了结构的可靠性。
3. 采用有限元分析技术优化，保证机架的完美搭配，增加整机的强度。
4. 排料口采用专用调节装置调整，更快捷方便。
5. 选择较大类型的轴承，承载能力较高。

#### Features and Advantages

1. Adopt "v" shaped crushing cavity and large inclination switching plate to make the feeding size larger and the output higher.
2. The professional manufacturing process and the good manufacturing material are used to achieve structural reliability.
3. Using finite element analysis technology to optimize, ensure the perfect match of the rack, increase the strength of the whole machine.
4. The discharge port is adjusted by a special adjustment device, which is faster and more convenient.
5. Choose a larger type of bearing with a higher load carrying capacity.

型号	ZXC80	ZXC96	ZXC106	ZXC116	ZXC110	ZXC120	ZXC125	ZXC140	ZXC145	ZXC150	ZXC160	ZXC200
进料口宽度 Width of feed opening (mm)	800	930	1060	1150	1100	1200	1250	1400	1400	1500	1600	2000
进料口深度 Depth of feed opening(mm)	510	580	700	800	850	870	950	1070	1100	1200	1200	1500
电机功率 power (kw)	75	90	110	132	160	160	160	200	200	250	250	400
转速 Eccentric shaft speed(rpm)	350	330	280	260	230	230	220	220	220	220	220	200
破碎机重量不含电机 Weight(KG)	8060	11353	18700	19390	26150	28160	39239	47120	57723	74000	79993	121500
产品尺寸 Output size (mm)	紧边排料口 The tight side discharge opening	产量：吨每小时(t/h)										
0-30	20											
0-35	25											
0-45	30											
0-60	40	65-85										
0-75	50	80-95										
0-90	60	95-125	120-155									
0-105	70	115-150	140-180	155-200	170-220	190-250	205-265					
0-120	80	130-170	160-210	175-230	190-250	210-275	225-290					
0-135	90	150-195	180-235	200-260	215-280	235-305	250-320					
0-150	100	165-215	200-260	220-290	240-310	255-330	270-345	290-380				
0-185	125	210-275	250-325	280-365	295-385	310-405	325-420	350-455	385-500	400-520		
0-225	150	250-325	300-390	335-435	350-455	370-480	385-495	410-535	455-590	470-610	478-620	520-675
0-260	175	290-380	350-455	390-510	405-525	425-550	440-565	470-610	520-675	540-700	548-710	595-775
0-300	200			445-580	460-600	480-625	495-640	530-690	590-765	610-795	618-805	675-880
0-340	225							590-770	655-850	680-885	688-895	750-975
0-375	250							650-845	725-945	750-975	758-980	825-1070
0-410	275									820-1070	828-1075	900-1170
0-450	300										898-1160	980-1275
												1225-1590

注：该数据根据当地使用情况采集获得。

1. 根据用途和生产要求，通常可以采用小的紧边排料口生产。
2. 以上数据所表示的破碎产量，是针对平均比重为 2.7t/m<sup>3</sup>，给料能够顺利进入破碎腔、无架桥卡堵现象，给料剔除小于排料口细料时取小值，含细料时取大值。
3. 产量可能随给料方式和物料性质诸如粒度组成、含水含泥量、松散密度和可碎性而变化。

Note: This data was collected based on local usage conditions.

1. According to the purpose and production requirements, small tight edge discharge ports can usually be used for production.
2. The crushing production represented by the above data is based on an average specific gravity of 2.7t/m<sup>3</sup>, where the feed can smoothly enter the crushing chamber without bridging or blockage. When removing fine materials smaller than the discharge port, the smaller value is taken, and when containing fine materials, the larger value is taken.
3. The yield may vary depending on the feeding method and material properties such as particle size composition, water and mud content, loose density, and crushing ability.

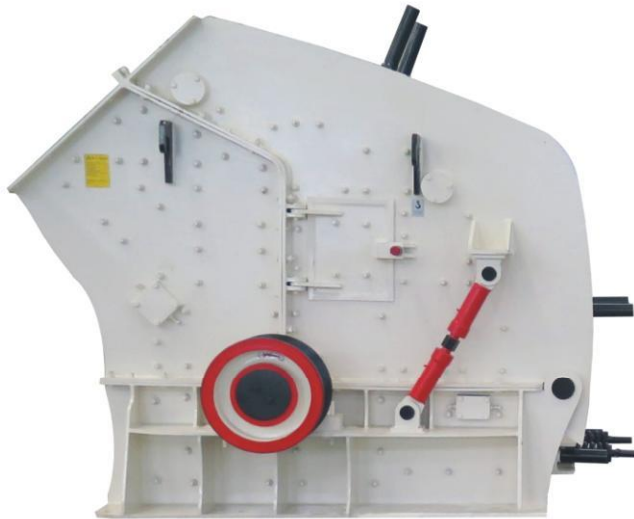
## » PF系列反击式破碎机 PF Series Impact Crusher

### 产品简介

反击式破碎机采用成熟的制造技术，独特的结构设计，能使破碎出来的成品颗粒呈立方体，无张力和裂缝，粒形更加完美，能破碎进料粒度不超过500mm、抗压强度不超过350Mpa的各种粗、中、细物料（花岗岩、石灰石、混凝土等）。反击式破碎机可广泛应用于各种矿石破碎、铁路、高速公路、能源、水泥、化工、建筑等行业。其排料粒度大小可以调节，破碎规格多样化。

### Brief Introduction

Impact crusher adopts the advanced technology and unique structural design, finished products present cubic shape without tension and cracks make the particle shape more perfectly. It can crush coarse, medium and fine materials small than 500mm, with compression strength lower than 350MPA, such as granite, limestone, concrete etc. Impact crusher is widely used in all kinds of ore crushing, railway, highway, energy, cement, chemical and construction industry etc. the output size can be adjusted.



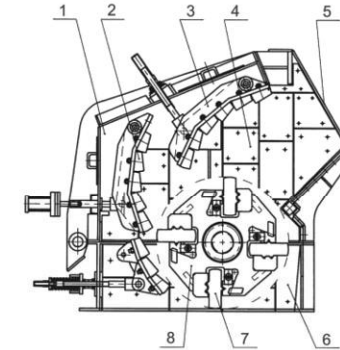
### 特点及优势

- 1.多腔均匀破碎，适宜破碎硬岩；
- 2.均整版结构使排料更呈小粒径和立方体形，无内裂纹；
- 3.低矮的大进料口，便于生产线布置和增大进料尺寸；
- 4.全液压开启，便于维修及更换易损件；
- 5.新型耐磨材料使板锤、反击板和衬板使用寿命更长。

### Features and Advantages

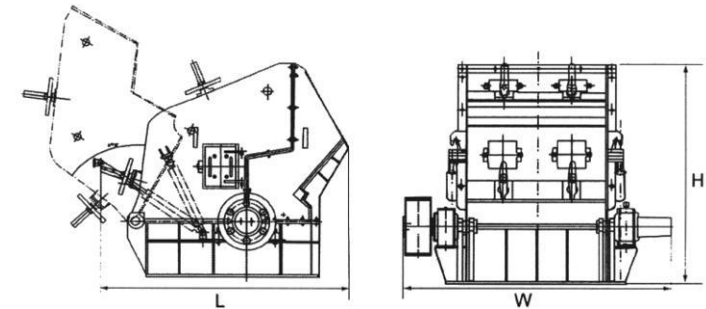
1. Many cavities to crush, suitable for crushing hard rock;
2. Reasonable design of leveling plate makes final products fine and in cubic shape without interior cracks;
3. Low and big feed opening makes the production line easy to arrange and increase the size of feeding material;
4. Use the full hydraulic open device, easy to maintain and change wear-parts;
5. New anti-abrasive material makes longer service life of blow bar, impact plate and liner.

### 内部结构图 Structural Drawing



- |        |                 |
|--------|-----------------|
| 1.后箱体  | 1.Rear Case     |
| 2.反击衬板 | 2.Impact Plate  |
| 3.反击架  | 3.Impact Rack   |
| 4.衬板   | 4.Liner         |
| 5.进料口  | 5.Feed Opening  |
| 6.底座   | 6.Base seat     |
| 7.板锤   | 7.Blow Bar      |
| 8.转子架  | 8.Rotor Support |

### 外形尺寸 Dimensions



### 技术参数

### TECHNICAL PARAMETER

型号 Model	规格 Rotor spec (mm)	进料口尺寸 Feed opening size(mm)	最大进料边长 Max feed edge(mm)	生产能力 Capacity (t/h)	电机功率 Motor power (kw)	重量 Weight (t)	外形尺寸(长×宽×高) Overall dimension (L×W×H)(mm)
PF-1007	1000*700	400*730	300	30-50	37-55	9.5	2400x1558x2660
PF-1010	1000*1050	400*1080	350	50-80	55-75	12.2	2400x2250x2620
PF-1210	1250*1050	400*1080	350	70-120	110-132	14.9	2690x2338x2890
PF-1214	1250*1400	400*1430	350	110-180	132-160	18.6	2690x2688x2890
PF-1315	1320*1500	550*1530	500	160-250	180-260	21.3	3096x3273x2667
PF-1320	1320*2000	860*2030	500	160-350	300-375	28	3096x3560x3185
PF-1520	1500*2000	830*2050	700	300-500	400-450	38.6	3890x3560x3220
PF-2022	2000*2200	2360*1350	450	800-1000	710-900	83	4712x3270x4058

技术数据如有变动，恕不另行通知。 Any change of technical data shall not be advised additionally.

## 》 VSI系列高效立轴冲击式破碎机 VSI Series Vertical Shaft Impact Crusher

### 产品简介

VSI系列高效立轴冲击式破碎机是本公司吸收德国先进技术研制并生产的，具有国际先进水平高性能制砂设备。该机专为高速公路、高速铁路、高层建筑、市政工程、水电大坝建设、混凝土搅拌站提供优质砂石骨料，是人工制砂和石料整形领域的首选设备。

### Brief Introduction

VSI series high-efficiency vertical shaft impact crusher(VSI Sand making machine)is developed and produced by our company absorbing advanced German technology.It has the international advanced level of high-performance sand making equipment. It provides the high quality sand or aggregate to the highway, high-speed rail, construction, municipal administration construction, water and electricity dam construction. It is the first choice in sand making and stone shaping fields.



### 性能特点

- 1.处理量大、产量高--50-500t/h，与同等功率下的传统设备相比，产量提高了30%，而且稳定。
- 2.易损件消耗低--优化的破碎腔物料撞击角度设计，与耐磨件的摩擦少，比传统设备运行费用低40%，直接降低了设备的使用成本。
- 3.产品粒形优异--产品呈立方体，粒形好、级配合理、细度模数可调，特别适合人工制砂和石料整形，实践证明比其他传统设备制砂、整形效果提高30%。
- 4.液压设置、易于维护--液压开盖设置，使破碎腔内部件检修拆换方便快捷，缩短了停机时间，省时省力。
- 5.自动检测、安全可靠--设置过震动显示与报警装置，如果设备发生不良运转，可发出警告，使设备停止工作，达到保护机器的目的。
- 6.稀油润滑、自动保养的稀油润滑站，双油泵互补保证供油；无油流、无油压时自动停机；水冷降温，冬季电机加热启动。
- 7.安装简便、易于操作--设备重量轻、安装方式多样，可移动式安装；安装、维修和保养简单，操作使用方便；一旦明确具体的用途，VSI破碎机只需进行细微调整，便可极大地发挥其卓越的性能。
- 8.一机多用、应用灵活--独有的进料破碎结构，拥有多种破碎腔型，可很方便的实现“石打石”和“石打铁”的转换，从而解决了一机多用的难题。如果要改变VSI破碎机的应用，无需做大的调整，即可适应用户的不同需求：制砂、整形、磨蚀物料等。
- 9.注重环保--设备工作噪音小、无污染。独特的空气自循环系统，大大降低了外排风量，降低粉尘，利于环保，此外VSI破碎机预留并适合安装多种规格的除尘设备。

### Features and Advantages

1. High yield and capacity--50-500t/h,30% higher than ordinary machine with same motor power.
2. Low consumption of wear parts--optimal design of crushing cavity, less abrasion of wear-resistant parts, the operation fee reduce about 40%,which directly reduce operation cost.
3. Perfect final product shape---cube, good shape of final product, grading reasonable, the product size can be adjusted, especially suitable for sand making and beauty the product shape, practice proved that this type of sand making machine improve 30% higher than other ordinary sand making machine.
4. Hydraulic device, easy for maintenance---hydraulic drive cover open, easy for repair and change parts in the crushing cavity, convenient and quick, save working time.
5. Automatic detection, safe and reliable---there is over-vibrating and alarm device, the machine will send alarm and stop when meet abnormal operation, protect our machine from damaging.
6. Lubrication system, automatic maintenance lubrication system, double oil pump ensure oil supply; automatic shut off the machine when there is no oil supply or no oil pressure, water cooling, heat before starting in winter.
7. Easy installation and operation, the machine is not heavy, installation method is various, also for mobile usage: easy for installation, maintenance and operation.
8. Multi-function and Flexible Application---Unique feeding and crushing structure and various crushing cavities enable easy conversion of "rock-on-rock" crushing and "rock-on-iron" crushing, which realize the multifunction. It can be widely applied to sand making, stone shaping and grinding and can meet customers various requirements without big changes of the machine.
9. Environmentally Friendly---Low noise, no pollution. Unique air circulation system greatly reduces the outside air volume and dust, which is good for environmental protection. It reserves position for various kinds of dust- removing equipment.



### 技术参数

### TECHNICAL PARAMETER

型号 Model	处理能力 Capacity(t/h)		最佳入料尺寸 The max feeding size(mm)		转速 Speed (r/min)	双电动机 功率 Double Motor Power (KW)	外形 尺寸 (长×宽×高) Overall dimension (L×W×H) (mm)	重量 (t)	润滑液压站 Lubrication station			
	瀑落与中 心进料 Surrounding feed and center feed	全中心 进料 Full center feed	软料 Soft stone	硬料 Hard stone					双油泵 电机功率 Double oil pump motor power (kW)	安全保护 Security	外形尺寸 Overall dimension (L×W×H) mm	油箱加热 器功率 Tank heater power (kW)
VSI7611	120-180	60-90	≤35	≤30	1700-1930	2X55	4100x2250x2315	8	双油泵一台工作一台备用，流量少自动开，油温高，无回油自动停机，风冷散热器降低油温，冬天加热，冬季电机加热启动。 One dual oil pump works one by one, and the standby oil pump is automatically turned on when the flow is low. High oil temperature, automatic shutdown without oil return. Air cooler lowers oil temperature, heater warms up oil temperature in winter.	1200X790X1120	2	
VSI8518	200-260	100-130	≤40	≤35	1520-1690	2X90	4160x2300x2476	12				
VSI9526	300-380	150-190	≤45	≤40	1360-1510	2X132	4540x2500x2911	13				
VSI1140	450-520	225-260	≤50	≤45	1180-1300	2X200	5000x2716x3117	18.5				
VSI1145	500-640	250-360	≤50	≤45	1200-1390	2X220	5450x2900x3300	19.5				
VSI1150	413-663	344-368	≤50	≤45	1200-1390	2X250	5450x2900x3365	19.8				
VSI1263	545-583	454-486	≤60	≤50	900-1150	2X315	5700x2980x3530	19				

技术参数如有变动，恕不另行通知。 Any change of technical data shall not be advised additionally.

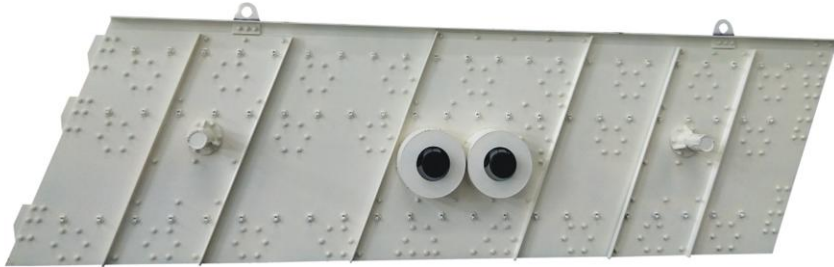
## » YK系列圆振动筛 YK Series Vibrating Screen

### 产品简介

圆振动筛因其运动轨迹近似于圆，故简称为圆振筛。圆振筛是种多层数、高效新型振动筛。圆振动筛（圆振筛）采用筒体式偏心轴激振器及偏心块调节振幅，物料筛上线长，筛分规格多，圆振筛广泛应用于矿山、建材、交通、能源、化工等行业的产品分级。

### Brief Introduction

The motion trail of this screen is similar as a circle, so it is called circular vibrating screen. It is a new type of high efficiency multi-layer vibrating screen, adopting cylinder type eccentric shaft vibration exciter and eccentric block to adjust the amplitude. It has long screening line and can screen out multi-size product. So it is widely applied to mining, building materials, transportation, energy and chemical industry.



### 性能特点

1. 采用筒体式偏心轴和偏心块作为激振力，激振力强；
2. 筛子横梁和箱盖采用高强度螺栓铆接，强度高；
3. 筛箱侧板强度高，耐冲击性强；
4. 采用小振幅，高频率，大倾角结构，使该机筛分效率高、处理量大、寿命长、电耗低、噪音小。

### Features

1. It uses cylinder-type eccentric shaft and eccentric block to make strong vibrating force.
2. Beam is connected to the main body with bolts, has the feature of high strength.
3. Side plate of the screen box is made of high strength and high impact resistance steel boiler plate.
4. It adopts small amplitude, high frequency and large obliquity structure, which enable the vibrating screen has the advantages of high screening efficiency, large processing capacity, long service life, low power consumption and low noise.

### 工作原理

圆振动筛是电机驱动偏心块，使筛体沿激振力方向作周期性往复振动，物料在筛面作圆运动，从而达到筛分目的。圆振筛由振动源、筛体、筛网、减振装置、底座等组成，结构合理、坚固耐用。

### Working Principle

The circular vibrating screen adopts ordinary motor to drive the eccentric block and make the screen periodically along with the direction of vibration force. Materials do circular motion on the screen deck and finally are screened out. Circular vibrating screen consists of vibration source, screen body, screen mesh, shock absorbing device, chassis. The structure is reasonable, strong and durable.



### 技术参数

### TECHNICAL PARAMETER

型号 Model	筛网尺寸 Screen size (mm)	筛面层数 Layers	筛孔尺寸 Screen mesh (mm)	最大进料尺寸 Max feed size (mm)	处理能力 Capacity (t/h)	电机功率 Power (Kw)	振动频率 Vibrating frequency (r/min)	双振幅 Double Amplitude (mm)
2YK1548	4800*1500	2	3-80	100	30-200	15	750-950	6-9
3YK1548	4800*1500	3	3-80	100	30-200	18.5	750-950	6-9
4YK1548	4800*1500	4	3-80	100	30-200	18.5	750-950	6-9
2YK1848	4800*1800	2	3-80	100	50-250	18.5	750-950	6-9
3YK1848	4800*1800	3	3-80	100	50-250	22	750-950	6-9
4YK1848	4800*1800	4	3-80	100	50-250	30	750-950	6-9
2YK1860	6000*1800	2	3-80	100	60-300	18.5	750-950	6-9
3YK1860	6000*1800	3	3-80	100	60-300	22	750-950	6-9
4YK1860	6000*1800	4	3-80	100	60-300	37	750-950	6-9
2YK2160	6000*2100	2	3-80	100	80-400	22	750-950	6-9
3YK2160	6000*2100	3	3-80	100	80-400	30	750-950	6-9
4YK2160	6000*2100	4	3-80	100	80-400	37	750-950	6-9
2YK2460	6000*2400	2	5-80	200	100-500	30	750-950	6-9
3YK2460	6000*2400	3	5-80	200	100-500	37	750-950	6-9
4YK2460	6000*2400	4	5-80	200	100-500	37	750-950	6-9
2YK2475	7500*2400	2	3-80	200	100-500	30	750-950	6-9
3YK2475	7500*2400	3	3-80	200	100-500	37	750-950	6-9
4YK2475	7500*2400	4	3-80	200	100-500	37	750-950	6-9
2YK2870	7000*2800	2	3-80	200	100-700	2x30	650-850	6-9
3YK2870	7000*2800	3	3-80	200	100-700	2x30	650-850	6-9
4YK2870	7000*2800	4	3-80	200	100-700	2x37	650-850	6-9
2YK3072	7200*3000	2	3-80	200	150-800	2x30	650-850	6-9
3YK3072	7200*3000	3	3-80	200	150-800	2x37	650-850	6-9
4YK3072	7200*3000	4	3-80	200	150-800	2x37	650-850	6-9
2YK3272	7200*3200	2	3-80	200	150-800	2x37	650-850	6-9
3YK3272	7200*3200	3	3-80	200	150-800	2x37	650-850	6-9

技术数据如有变动，恕不另行通知。 Any change of technical data shall not be advised additionally.

## » YA系列稀油润滑圆振动筛

YA Series Oil Lubricated Circular Vibrating Screen

### 产品简介

YA系列稀油润滑圆振动筛一种高效的筛分设备，广泛用于多个行业。将原料分为多个粒度。这种筛分设备结构紧凑，易于操作和维护，减少停机维护时间。能够提高生产效率，确保成品筛分产量。

The YA series thin oil lubricated circular vibrating screen is a high-efficiency screening equipment widely used in multiple industries. Divide the raw materials into multiple particle sizes. This screening equipment has a compact structure, is easy to operate and maintain, and reduces downtime for maintenance. Can improve production efficiency and ensure the screening output capacity of finished products.



### 适用物料:

河卵石、花岗岩、石灰石、石英石、煤矸石、硅、合金粉、铁矿石、高岭土等。

Applicable materials: river pebbles, granite, limestone, quartz, coal gangue, silicon, alloy powder, iron ore, kaolin, etc.

### 产品优势

- 1.稀油润滑激振器，半年更换一次润滑油，日常维护省心省力。
- 2.偏心轴激振器结构，激振力更强。
- 3.皮带传动，比较连接传递扭矩效果更好。
- 4.轴承使用寿命更长。

### Advantage

- 1.Lubricate the exciter with thin oil and replace the lubricating oil every six months, making daily maintenance worry free and effortless.
- 2.Eccentric shaft exciter structure, stronger excitation force.
- 3.Belt transmission has better torque transmission effect than soft connection
- 4.The service life of the bearings is longer.



### 技术参数

### TECHNICAL PARAMETER

型号 Model	筛网尺寸 Screen size (mm)	筛面层数 Layers	筛孔尺寸 Screen mesh (mm)	最大进料尺寸 Max feed size (mm)	处理能力 Capacity (t/h)	电机功率 Power (Kw)	振动频率 Vibrating frequency (1/min)	双振幅 Double Amplitude (mm)
2YA1237	3700×1200	2	3-80	100	10-80	11	750-950	6-9
3YA1237		3	3-80	100		15		6-9
4YA1237		4	3-80	100		18.5		6-9
2YA1548	4800×1500	2	3-80	100	30-200	18.5	750-950	6-9
3YA1548		3	3-80	100		18.5		6-9
4YA1548		4	5-80	100		30		6-9
2YA1860	6000×1800	2	3-80	100	60-300	22	750-950	6-9
3YA1860		3	3-80	100		30		6-9
4YA1860		4	3-80	100		45		6-9
2YA2160	6000×2100	2	3-80	100	80-400	30	700-900	6-9
3YA2160		3	3-80	100		37		6-9
4YA2160		4	3-80	100		45		6-9
2YA2460	6000×2400	2	5-80	100	100-500	37	700-900	6-9
3YA2460		3	5-80	100		37		6-9
4YA2460		4	5-80	100		45		6-9
2YA2675	7500×2600	2	5-80	100	150-480	45	700-900	6-9
3YA2675		3	5-80	100		30×2		6-9
2YA2870	7000×2800	2	5-80	100	150-550	30×2	700-900	6-9
3YA2870		3	5-80	100		37×2		6-9
2YA3072	7200×3000	2	5-80	100	150-600	30×2	700-900	6-9
3YA3072		3	5-80	100		37×2		6-9
4YA3072		4	5-80	100		37×2		6-9
2YA3675	7500×3600	2	5-80	100	200-1000	37×2	700-900	6-9
3YA3675		3	5-80	100		45×2		6-9

技术参数如有变动，恕不另行通知。 Any change of technical data shall not be advised additionally.

## » ZSW系列振动给料机 ZSW Series Vibrating Feeder

### 产品简介 Brief Introduction

ZSW系列振动给料机主要用于粗碎破碎机前连续、均匀给料、同时可筛分细料、使破碎机能力增大。

ZSW Series Vibrating Feeder is mainly used to feed material into the primary crusher homogeneously and continuously. Meanwhile, it can screen the fine material and improve the crushing ability correspondingly.

### 特点及优势 Features and Advantages

1. 振动平稳; Smooth vibrating;
2. 特殊栅条设计, 可防止物料堵塞; Special Fence can prevent the block of raw material;
3. 栅条间隙可调; The distance between fences is adjustable;
4. 可选装变频调速电机, 便于控制给料量, 无需频繁启动电机。  
Frequency conversion motor can be equipped for feeding control, and avoid frequently starting



### 技术参数

### TECHNICAL PARAMETER

型号 Model	最大进料粒度 Max feed size (mm)	处理能力 Capacity (t/h)	电机功率 Motor power (kw)	外形尺寸(长×宽×高) Overall dimensions (L*W*H) (mm)	重量 Weight (kg)	料槽尺寸 Size of funnel (mm)
ZSW-380*96	500	96-160	11	3882*2224*2121	4100	3800*960
ZSW-490*95	500	120-240	15	4957*2277*2150	5004	4900*950
ZSW-490*110	580	120-280	15	4957*2400*2150	5320	4900*1100
ZSW-590*110	600	200-350	22	6000*2500*2150	6130	5900*1100
ZSW-600*130	750	400-560	22	6082*2580*2083	7800	6000*1300
ZSW-600*150	1000	800	30	6627*2350*3068	12110	6000*1500
ZSW-600*200	1000	1200	37	6436*3853*3014	18650	6000*2000

技术数据如有变动, 恕不另行通知。 Any change of technical data shall not be advised additionally.

## » ZSWT系列振动给料机 ZSWT Series Vibrating Feeder

### 产品简介 Brief Introduction

ZSWT系列振动给料机主要用于初段粗碎破碎机前连续、均匀给料。同时可筛分细料, 是破碎机生产能力大大增加。

ZSWT series vibrating feeder is mainly used for continuous and uniform feeding in front of the primary coarse crusher. At the same time, the fine material can be sieved, which greatly increases the production capacity of the crusher.

### 特点及优势 Features and Advantages

1. 振动平稳 Smooth vibrating
2. 阶梯式栅条设计, 可有效防止物料堵塞  
Stepped screen strip design can effectively prevent materials from being blocked
3. 栅条间隙可调 The gap of the grid is adjustable
4. 可选装变频调速电机, 便于控制给料量, 无需频繁启动电机  
Frequency conversion motor can be installed, which is convenient for controlling the feeding amount, without frequent starting of the motor



### 技术参数

### TECHNICAL PARAMETER

型号 Model	最大进料粒度 Max feed size (mm)	处理能力 Capacity (t/h)	电机功率 Motor power (kw)	外形尺寸 Overall dimensions (mm)	重量 Weight (kg)	料槽尺寸 Size of Funnel (mm)
ZSWT490×110	580	120-300	15	4957×2371×2125	5618	4900×1100
ZSWT600×130	750	400-660	37	6080×2671×1970	8350	6000×1300
ZSWT600×160	800	460-800	37	6086×3050×2130	9000	6000×1600
ZSWT600×200	1400	600-1500	45	3080×4094×1810	15094	6000×2000

技术数据如有变动, 恕不另行通知。 Any change of technical data shall not be advised additionally.

## » GZT系列棒条振动给料机 GZT Series Vibrating Feeder

### 产品简介

GZT系列棒条振动给料机系消化吸收瑞典技术设计制造, 并采用引进日本技术生产的震动电机为激振源。该系列给料机用于粗碎破碎机前大块物料的均匀给料, 同时由于棒条筛面的作用, 又能除掉泥土等细碎物料, 达到预筛分功能, 能够提高粗碎能力。特别适用于水电行业, 建筑石料, 金属矿石等粗碎前的给料用。

### Brief Introduction

GZT series vibrating feeder is designed and manufactured by absorbing Sweden's technology and adopts vibrating motor manufactured by Japan technology as the excitation source. This series vibrating is applied to evenly feeding material into primary crusher. It can remove the fine material and dust under the action of the bar screen surface to realize the pre-screening, which can improve the coarse crushing capacity. It is especially suitable for material feeding before the coarse crushing in the hydropower, building material and mining industry.



### 特点及优势

#### Features and Benefits

该机结构简单, 使用维护方便。

Simple structure and easy operating and maintenance.

### 技术参数

### TECHNICAL PARAMETER

型号 Model	最大进料粒度 Max feed size (mm)	处理能力 Capacity (t/h)	电机功率 Motor power (kw)	棒条倾角 Installation slope (°)	双振幅 Double amplitude (mm)	外形尺寸 Overall dimensions (mm)	重量 Weight (kg)
GZT-0724	450	30-80	2*2	10	4-6	2481*1130*990	2422
GZT-0932	560	80-150	2*2.2	10	4-8	3298*1512*1195	3203
GZT-0940	560	80-180	2*3.7	10	4-8	4100*1818*1134	3700
GZT-1148	600	150-300	2*5.5	10	4-8	4926*1676*1475	5060
GZT-1256	800	180-400	2*7.5	10	4-8	5704*1840*1492	6385
GZT-1560	1000	400-600	2*13	10	4-8	6110*2440*1560	8900

技术数据如有变动, 恕不另行通知。 Any change of technical data shall not be advised additionally.

## » XL系列洗砂机 XL Series Sand Washer

### 产品简介

XL系列洗砂机可清洗分离砂石中的泥土和杂物，其新颖的密封结构、可调溢流堰板、可靠的传动装置确保清洗脱水的效果，适用于公路、水电、建筑等行业。

### Brief Introduction

XL series sand washer can wash and separate out the soil and foreign material in the sand. Its new seal structure, adjustable overflow plate, reliable transmission device can ensure the clean and dewatering effect. It can be applied to road, hydropower and building industry.



### 技术参数

### TECHNICAL PARAMETER

型号 model	螺旋直径 Screw diameter (mm)	槽体 长度 Length of Chute (mm)	最大入料 粒度 Max feeding size(mm)	生产 能力 Capacity (t/h)	螺旋 转速 Speed (r/min)	电机 功率 Power (kw)	耗水量 Water consumption (t/h)	外形尺寸 Overall dimension (L×W×H) (mm)	重量 Weight (t)
XI508	508	6705	≤10	20	38	5.5	6-60	8000x2343x1430	2.67
XL610	610	7225	≤10	40-50	32	7.5	6-63	8000X2050X1400	3.8
XL762	762	7620	≤10	50-75	26	11	9-63	8545X2650X3862	5.23
XL920	920	8026	≤10	100	18	11	10-80	8715X1632X2075	4.6
2XL920	920	8026	≤10	150-180	18	11*2	20-160	8715X2602X2075	7.9
XL1115	1115	8532	≤10	175	18	15	20-150	9231X1833X2126	5.6
2XL1115	1115	8532	≤10	200-250	18	15*2	40-300	9231X2995X2126	10

技术参数如有变动，恕不另行通知。 Any change of technical data shall not be advised additionally.

## » XS系列洗砂机 XS Series Sand Washer

### 产品简介 Brief Introduction

XS系列洗砂机是一种轮斗式洗选设备，主要用于建筑砂石料等的洗选脱水。

XS Series Sand Washer is a bucket-typed sand washer, mainly used in sand washing and dewatering.

### 特点及优势 Features and Advantages

结构简单，维修方便。Simple structure, easy to maintain;

大产量，低能耗。High processing capacity and low power consumption;

低磨损，运行成本低。Low wear-consumption, low operation cost.



### 技术参数

### TECHNICAL PARAMETER

型号 Model	轮斗直径 Bucket wheel diameter(mm)	最大入料粒度 Max feeding size(mm)	生产能力 Capacity (t/h)	转速 Speed (r/min)	电机功率 Power (kw)	外形尺寸 Overall dimension (L×W×H)(mm)	重量 Weight (t)
XS2600	2600	≤10	20-50	2.5	5.5	3550X2080X2650	2.67
XS2600II	2600	≤10	30-70	2.5	5.5	3550X2080X2650	2.9
XS2800	2800	≤10	50-100	1.2	11	3964x2137x2895	3.98
XS3200	3200	≤10	80-120	1.2	15	4346x2934x3345	7.27
XS3600	3600	≤10	120-180	1	15	4355X4505X3810	9.43

技术参数如有变动，恕不另行通知。 Any change of technical data shall not be advised additionally.



## » 皮带输送机 Belt Conveyor

### 技术参数

### TECHNICAL PARAMETER

带宽 Belt Width (mm)	皮带长度/功率 Belt Length (m)/Power (kw)		带速 Belt Speed (m/s)	传送能力 Capacity (t/h)	
400	≤12/2.2	12-20/2.2-4	20-25/3.5-7.5	1.25-2.0	30-60
500	≤12/3	12-20/3-5.5	20-30/5.5-7.5	1.25-2.0	40-80
650	≤12/4	12-20/4-5.5	20-30/5.5-11	1.25-2.0	80-120
800	≤10/4	10-15/4-5.5	15-30/5.5-15	1.25-2.0	120-200
1000	≤10/5.5	10-20/5.5-11	20-40/11-22	1.25-2.0	200-320
1200	≤10/7.5	10-20/7.5-15	20-40/15-30	1.25-2.0	290-480
1400	≤10/11	10-20/11-22	20-40/22-45	1.25-2.0	400-680
1600	≤10/15	10-20/22-30	20-50/30-75	1.25-2.0	400-680

技术参数如有变动，恕不另行通知。 Any change of technical data shall not be advised additionally.



» **SY系列移动颚式破碎站**  
SY Series Mobile Jaw Crusher Plant

技术参数

TECHNICAL PARAMETER

移动颚破站 Mobile Jaw Crusher	型号 Model	最大进料尺寸 Max. Feeding size (mm)	产量 Capacity (t/h)	功率 Power (kw)	外形尺寸 Overall dimensions (L*W*H)(mm)	重量 Weight (t)
SYG724E57	GZT0724	425	50-100	2*2	11870*2470*4442	25.3
	PE500*750			55		
	B500*8.6			5.5		
SYG938E69	ZSW3896	500	80-180	11	11007X2921X5179	31.153
	PE600*900			55		
	B800*7.5			4		

技术数据如有变动，恕不另行通知。 Any change of technical data shall not be advised additionally.

» **SY系列移动圆锥式破碎站**  
SY Series Mobile Cone Crusher Plant



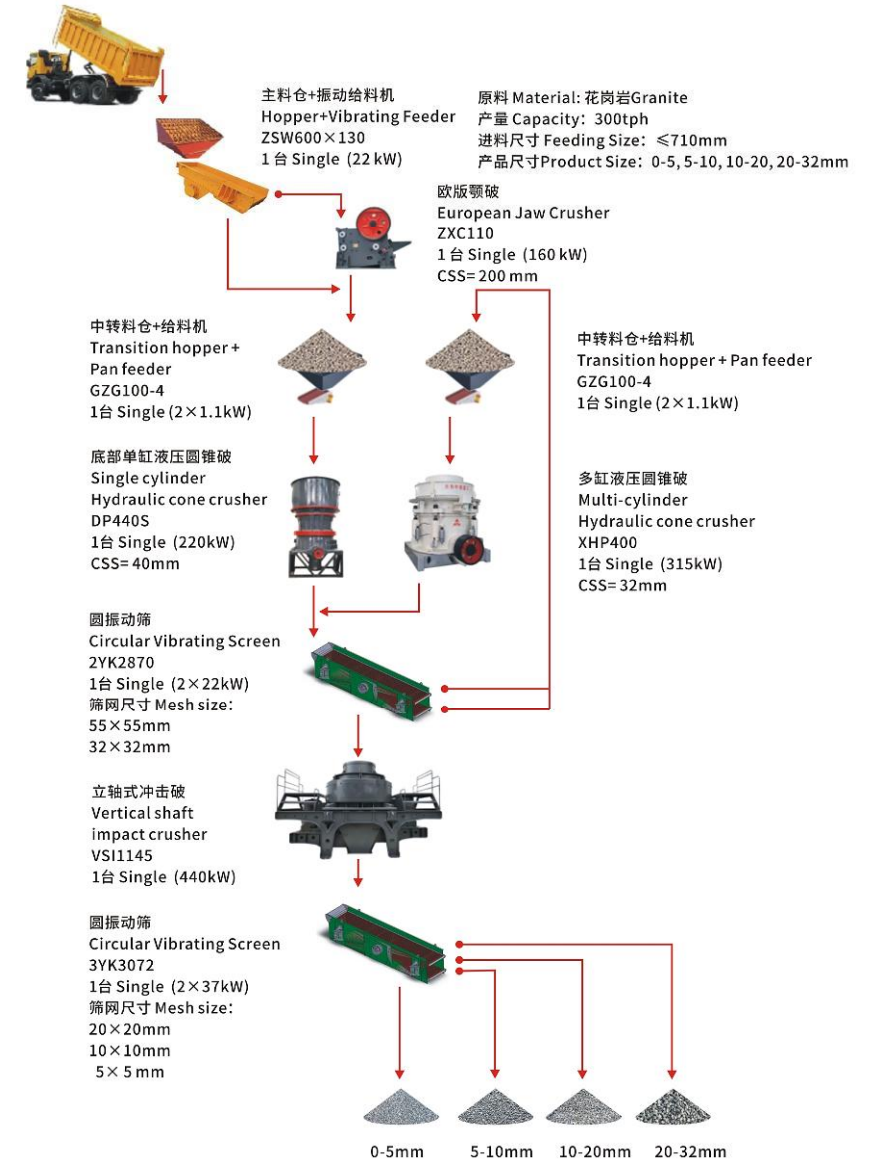
技术参数

TECHNICAL PARAMETER

移动式圆锥站 Mobile Cone Crusher	型号 Model	最大进料尺寸 Max. Feeding size (mm)	产量 Capacity (t/h)	功率 Power (kw)	外形尺寸 Overall dimensions (L*W*H)(mm)	重量 Weight (t)
SY3Y154CS0917	PSGB0917	150	59-163	75	13305*3227*6470	31
	3YA1548			15		
	B500*7.6			3		
SY3Y184CS1321	PSGB1321	178	132-253	160	12799X3778X6442	44.907
	3YA1848			18.5		
	B800*6.5			4		

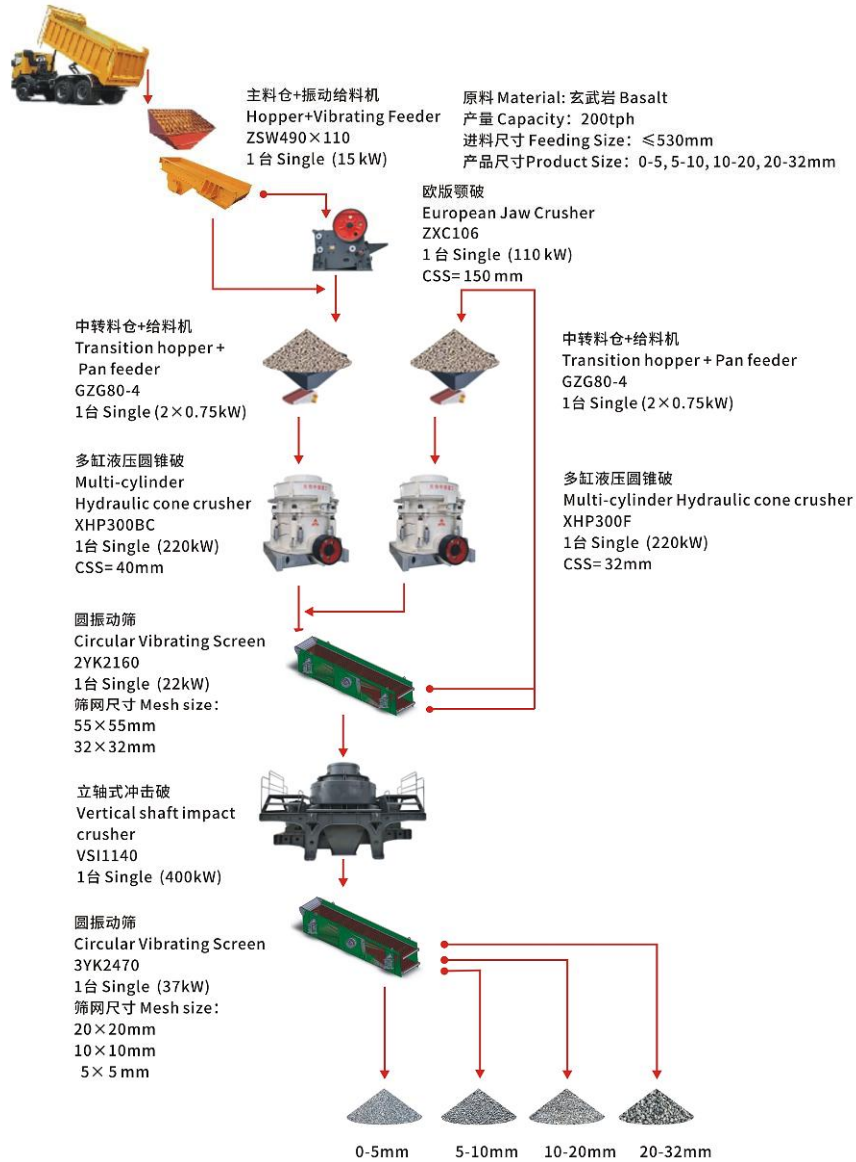
技术数据如有变动，恕不另行通知。 Any change of technical data shall not be advised additionally.

**300吨每小时花岗岩碎石制砂生产线**  
Flow Chart of 300tph granite production line



## 200吨每小时玄武岩碎石制砂生产线

Flow chart of 200tph basalt production line



## 客户现场 Customer Working Site



» 客户现场 Customer Working Site

